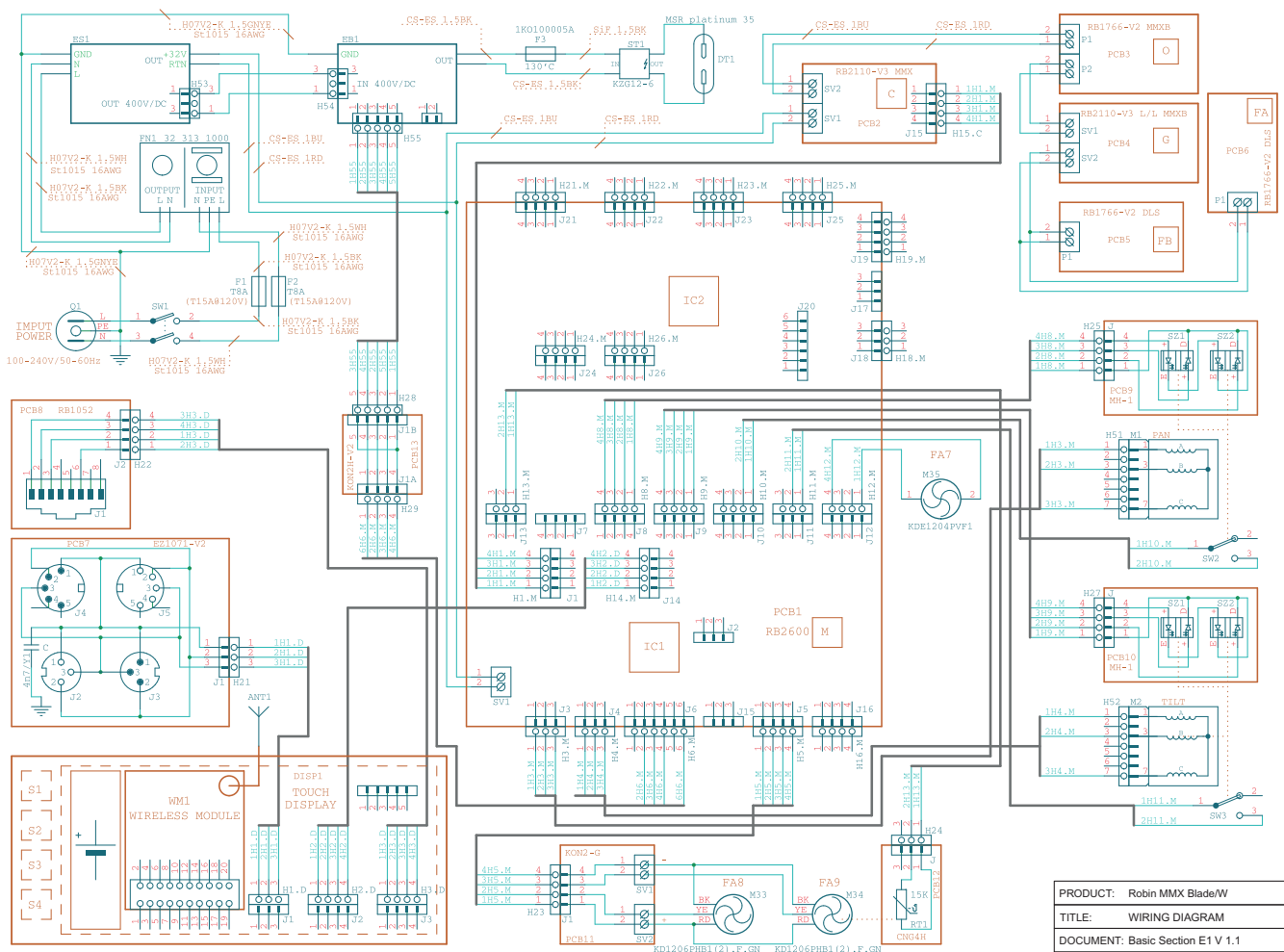
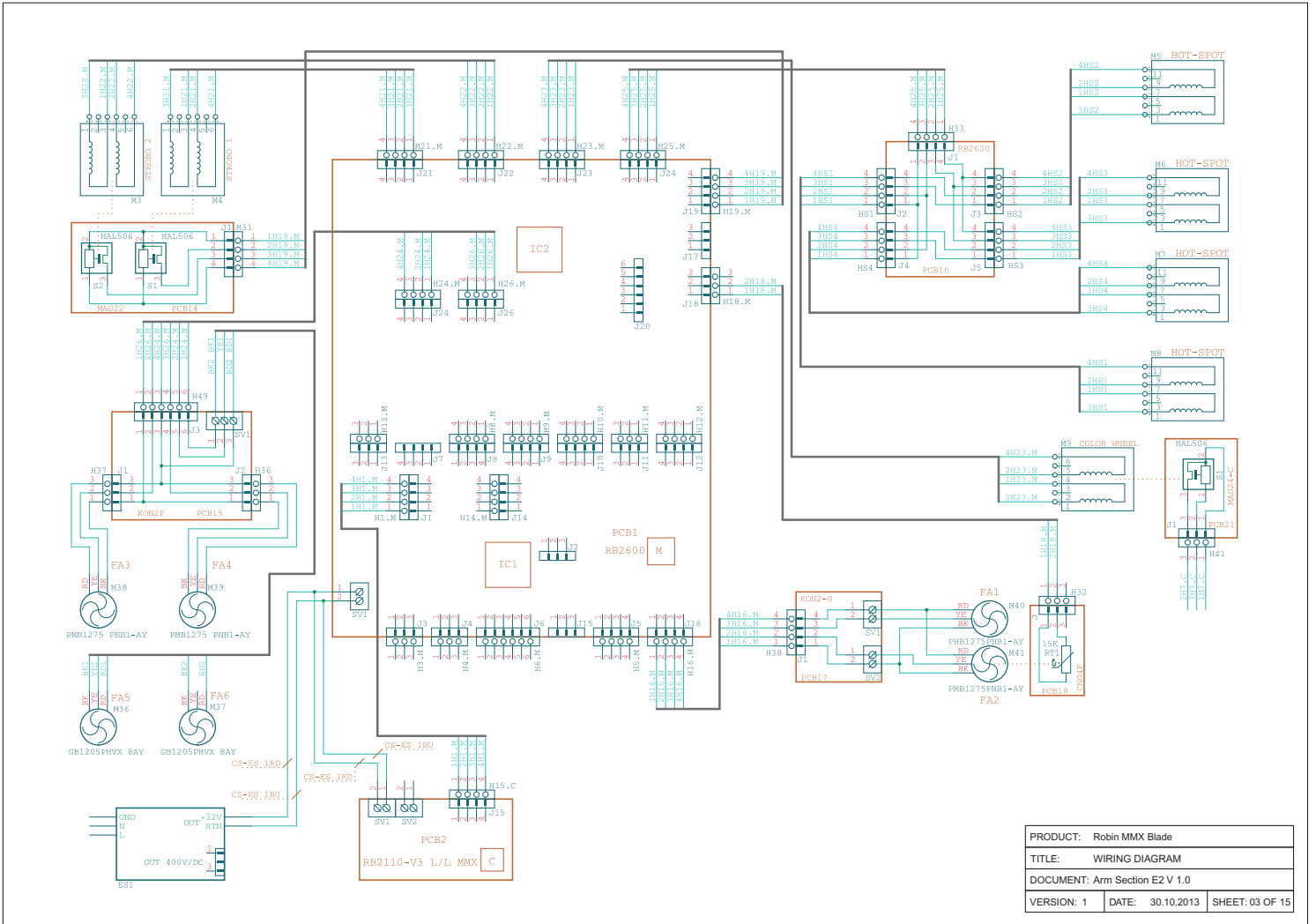


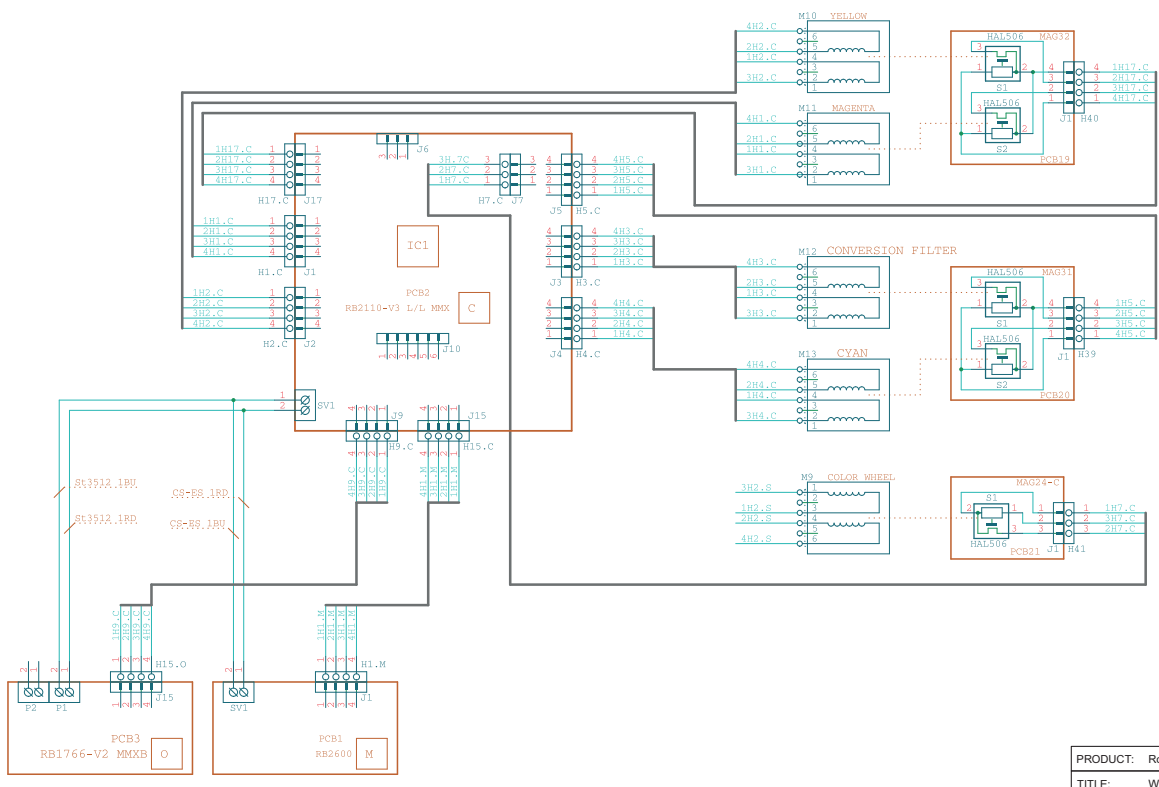
PRODUCT:	Robin MMX Blade		
TITLE:	WIRING DIAGRAM		
DOCUMENT:	Basic Section E1 V 1.0		
VERSION:	1	DATE:	30.10.2013
		SHEET:	01 OF 15



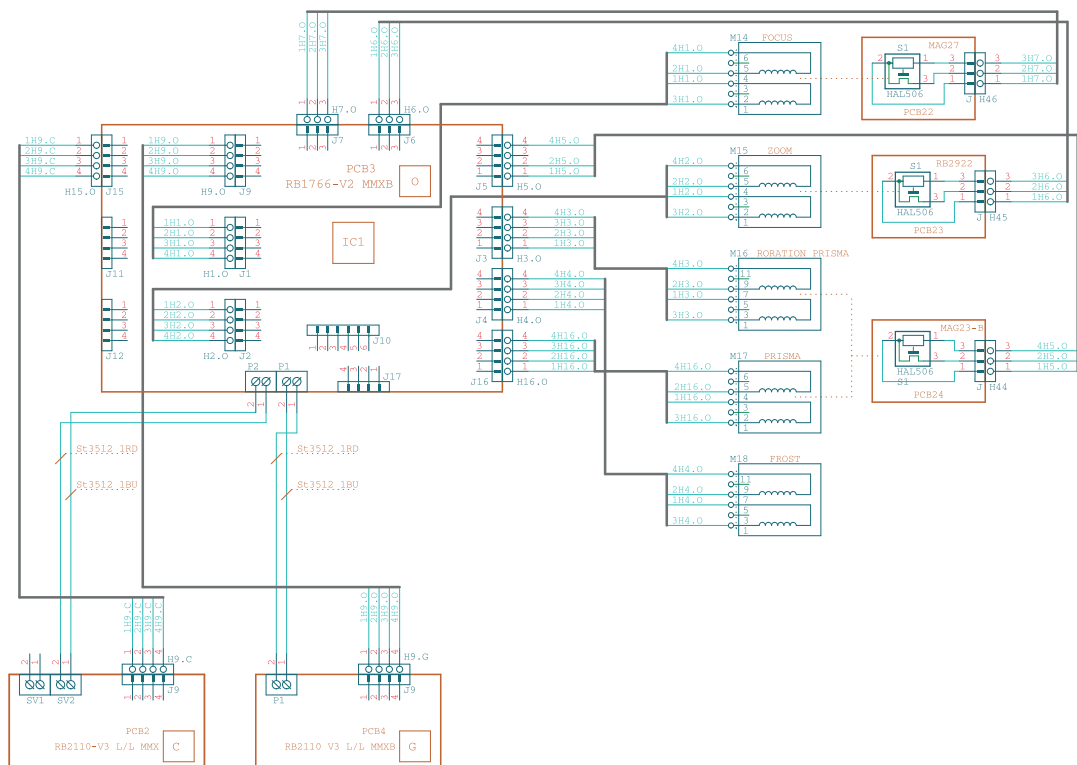
PRODUCT:	Robin MMX Blade/W
TITLE:	WIRING DIAGRAM
DOCUMENT:	Basic Section E1 V 1.1
VERSION:	1
DATE:	30.10.2013
SHEET:	02 OF 15



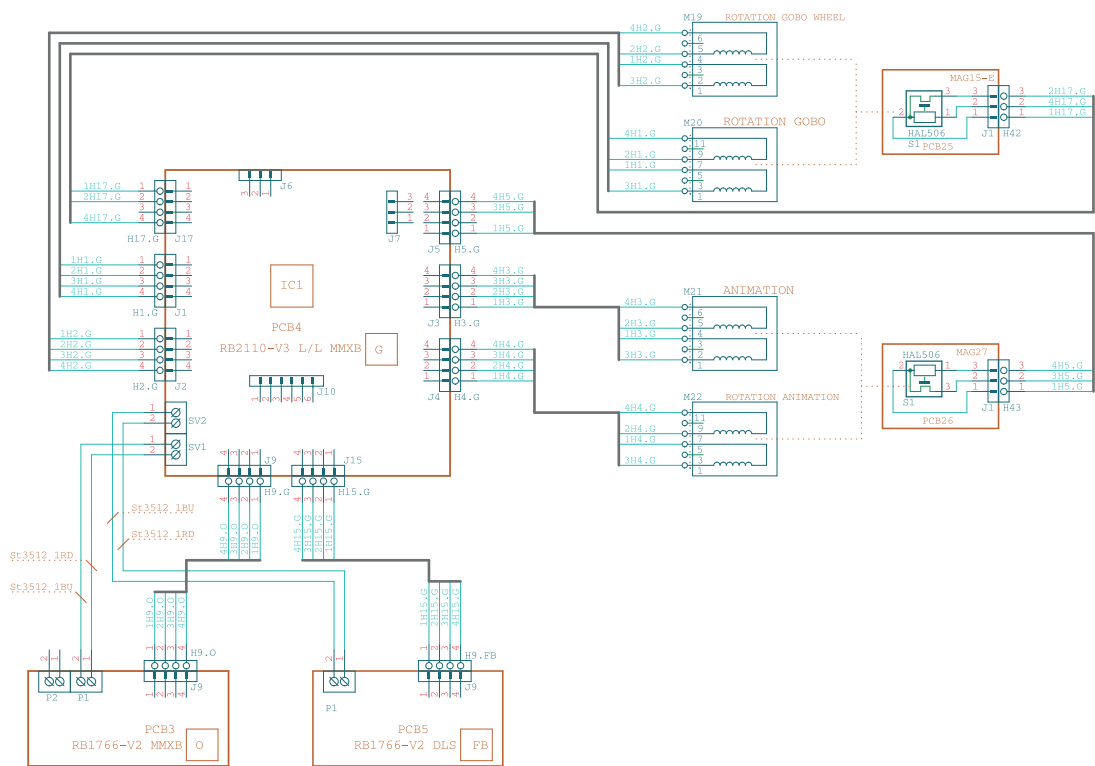
PRODUCT: RobIn MMX Blade		
TITLE: WIRING DIAGRAM		
DOCUMENT: Arm Section E2 V 1.0		
VERSION: 1	DATE: 30.10.2013	SHEET: 03 OF 15



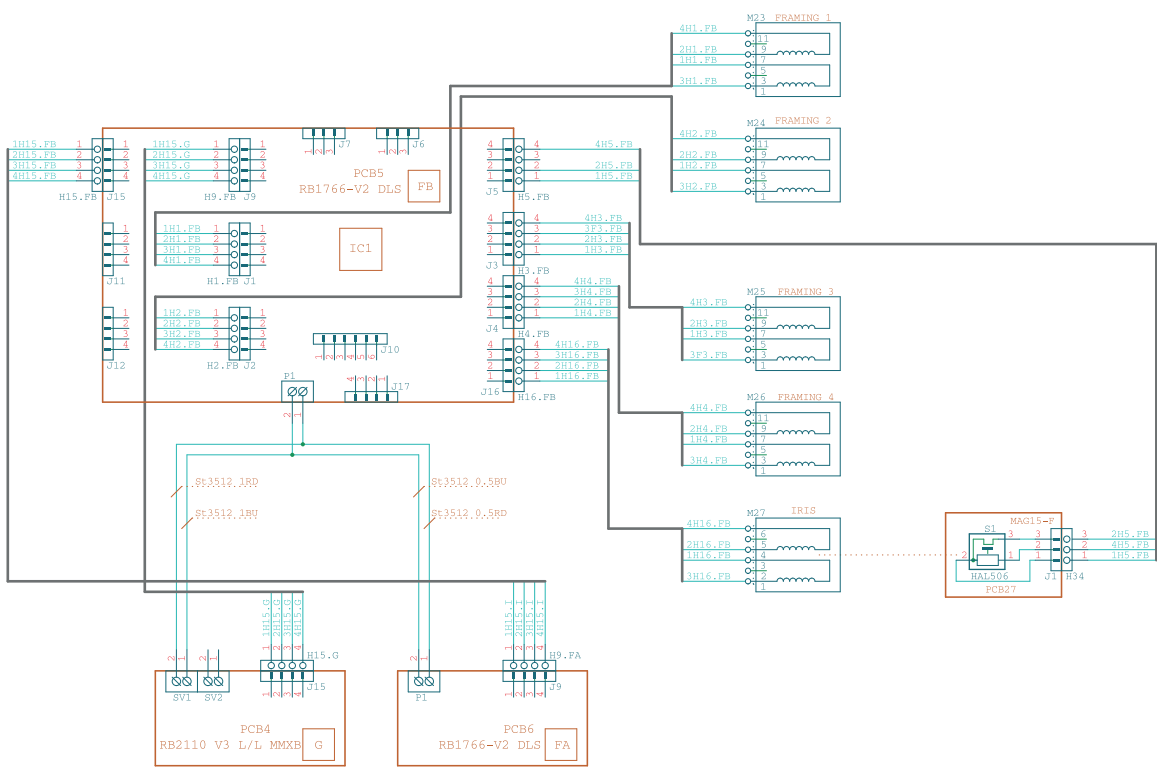
PRODUCT:	Robin MMX Blade
TITLE:	WIRING DIAGRAM
DOCUMENT:	Color Section E3 V 1.0
VERSION:	1
DATE:	30.10.2013
SHEET:	04 OF 15



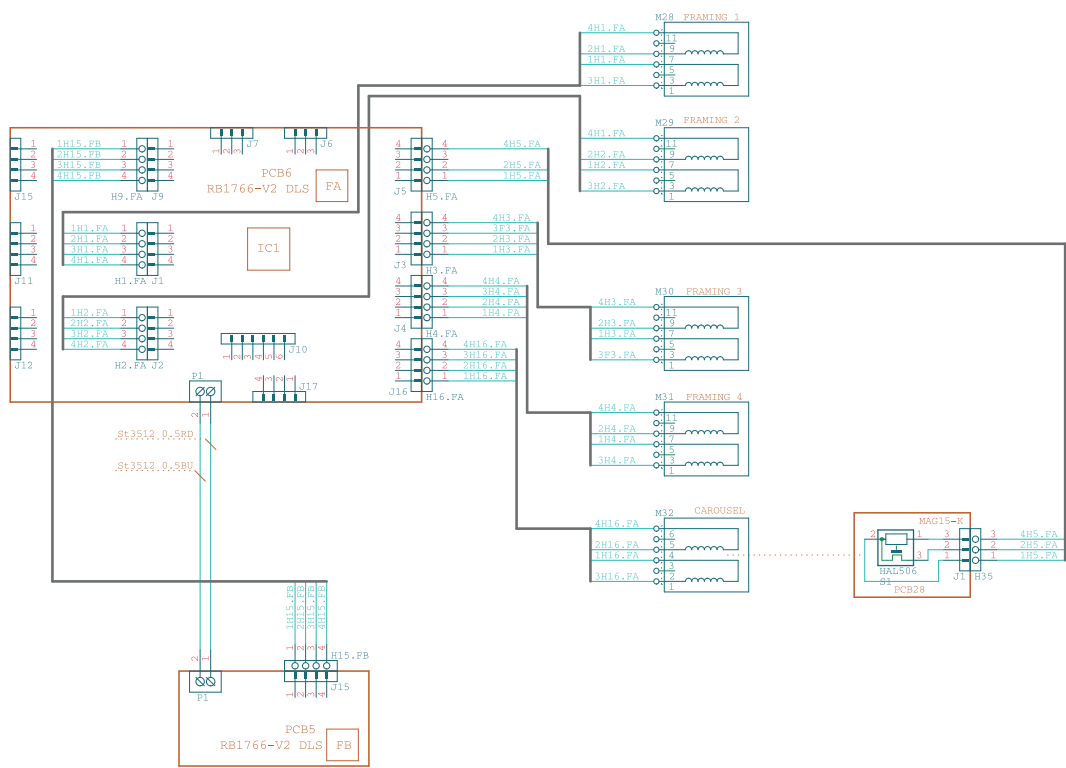
PRODUCT: Roblin MMX Blade		
TITLE: WIRING DIAGRAM		
DOCUMENT: Prisma Section E4 V 1.0		
VERSION: 1	DATE: 30.10.2013	SHEET: 05 OF 15



PRODUCT:	Robin MMX Blade		
TITLE:	WIRING DIAGRAM		
DOCUMENT:	Gobo Section E5 V 1.0		
VERSION:	1	DATE:	30.10.2013
		SHEET:	06 OF 15

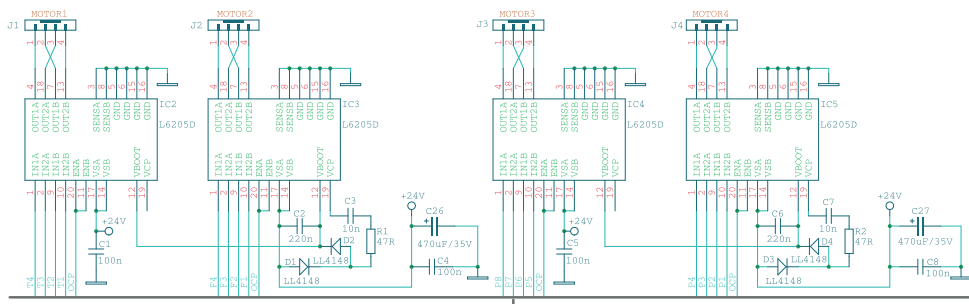


PRODUCT: Robin MMX Blade		
TITLE: WIRING DIAGRAM		
DOCUMENT: Framing Section B E6 V 1.0		
VERSION: 1	DATE: 30.10.2013	SHEET: 07 OF 15

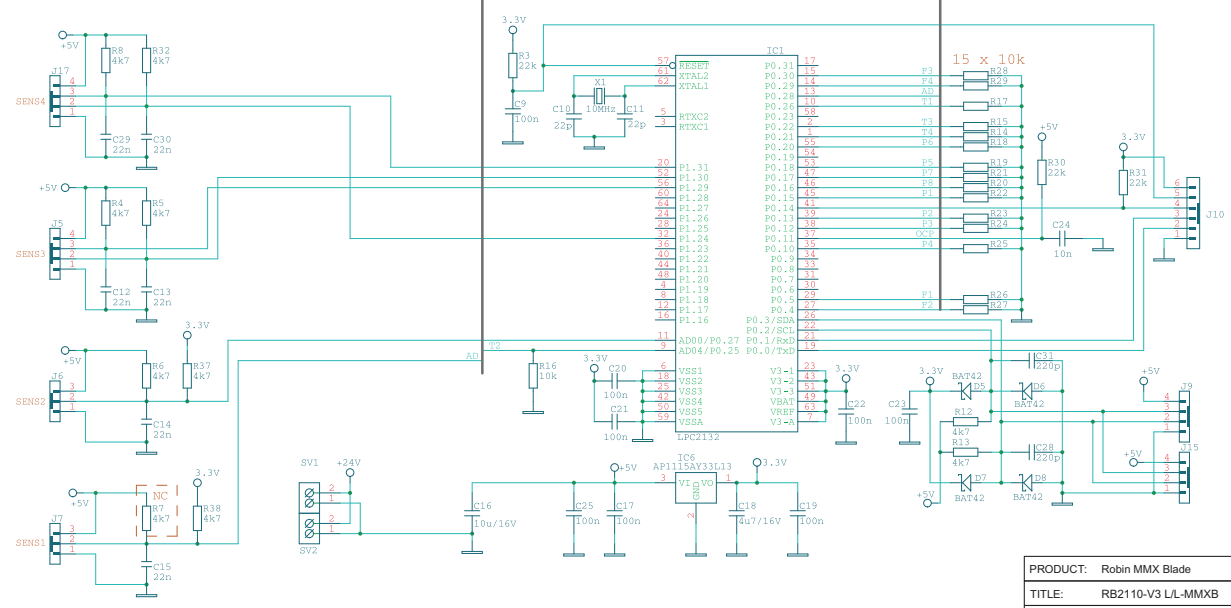


PRODUCT:	Robin MMX Blade		
TITLE:	WIRING DIAGRAM		
DOCUMENT:	Framing Section A E7 V 1.0		
VERSION:	1	DATE:	30.10.2013
		SHEET:	08 OF 15

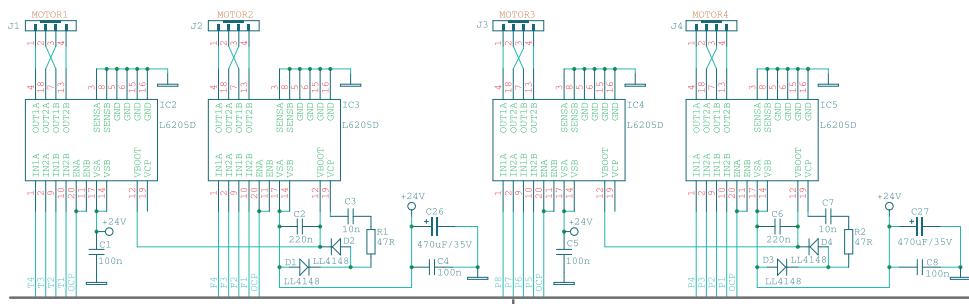




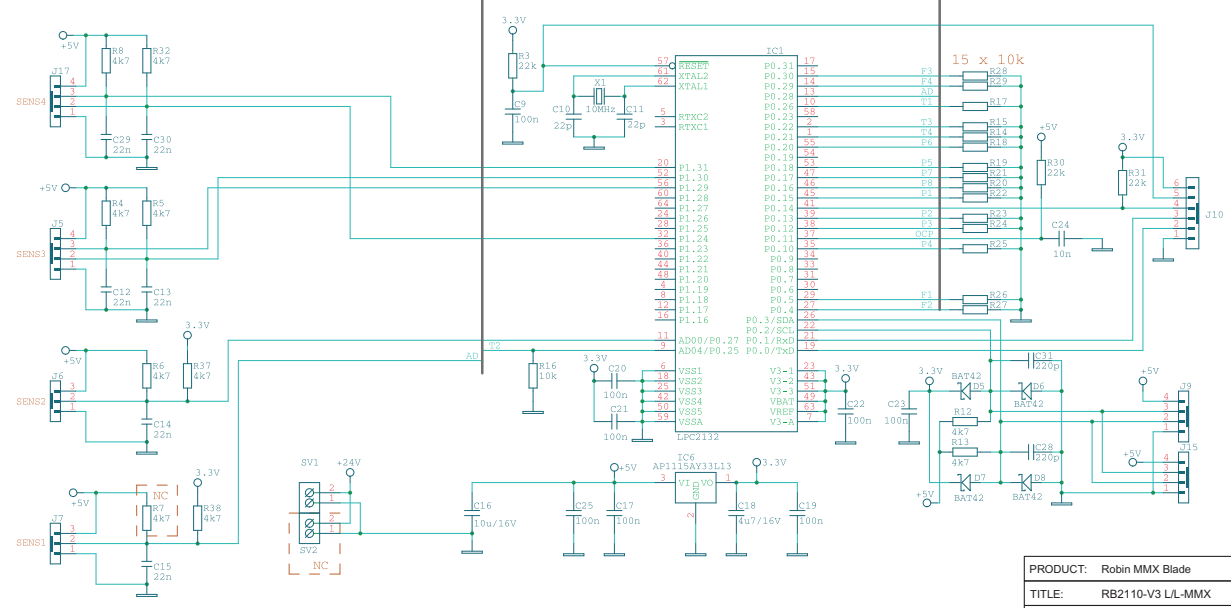
NC:  
R7



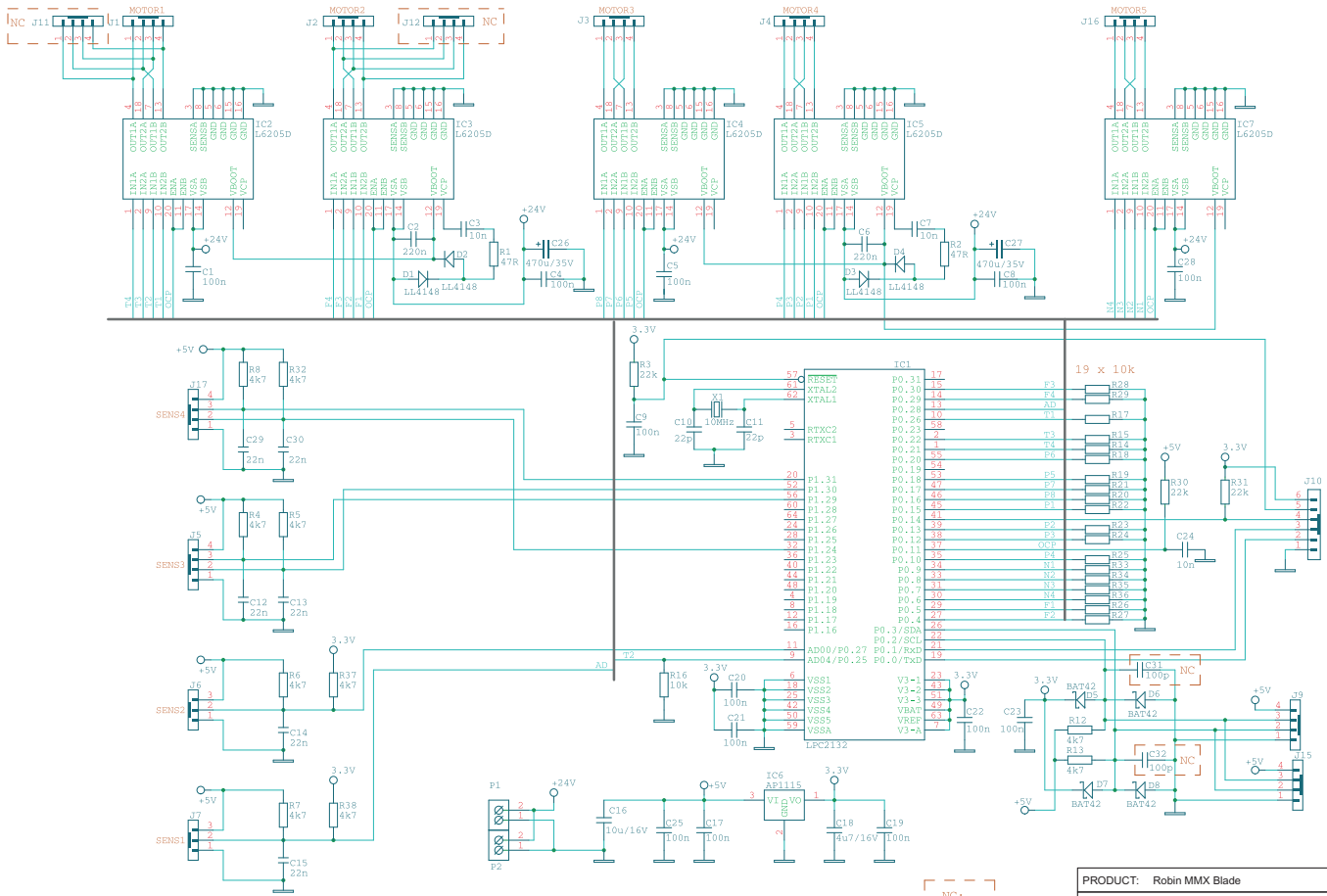
PRODUCT:	Robin MMX Blade
TITLE:	RB2110-V3 LL-MMXB
DOCUMENT:	CIRCUIT DIAGRAM
VERSION:	1
DATE:	30.10.2013
SHEET:	09 OF 15



NC:  
SV2, R7

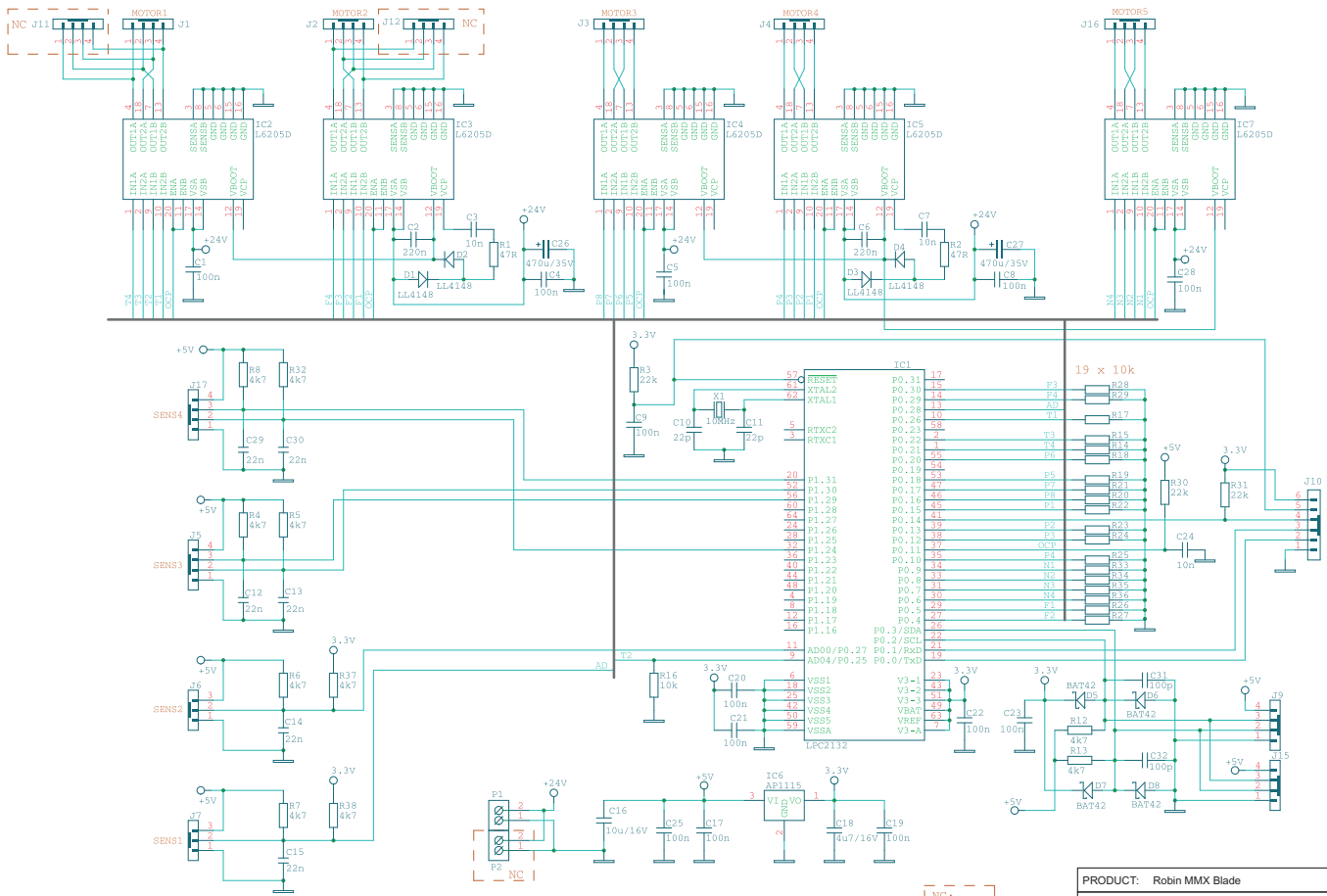


PRODUCT:	Robin MMX Blade
TITLE:	RB210-V3 LL-MMX
DOCUMENT:	CIRCUIT DIAGRAM
VERSION:	1
DATE:	30.10.2013
SHEET:	10 OF 15



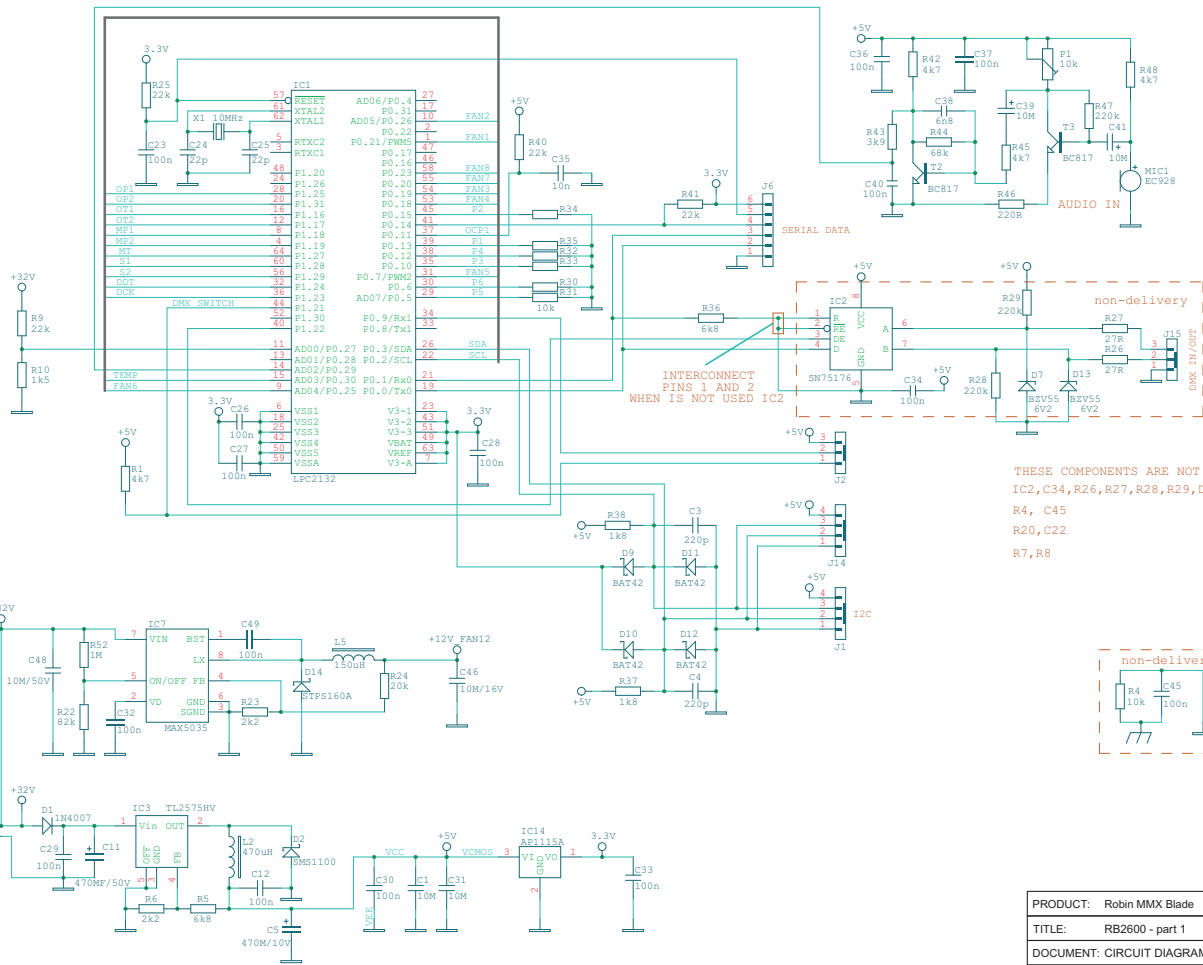
NC:  
C31, C32  
J11, J12

PRODUCT:	Robin MMX Blade
TITLE:	RB1766-V2 MMXB
DOCUMENT:	CIRCUIT DIAGRAM
VERSION:	1
DATE:	30.10.2013
SHEET:	11 OF 15

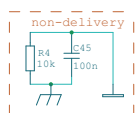


NC:  
J11, J12  
P2

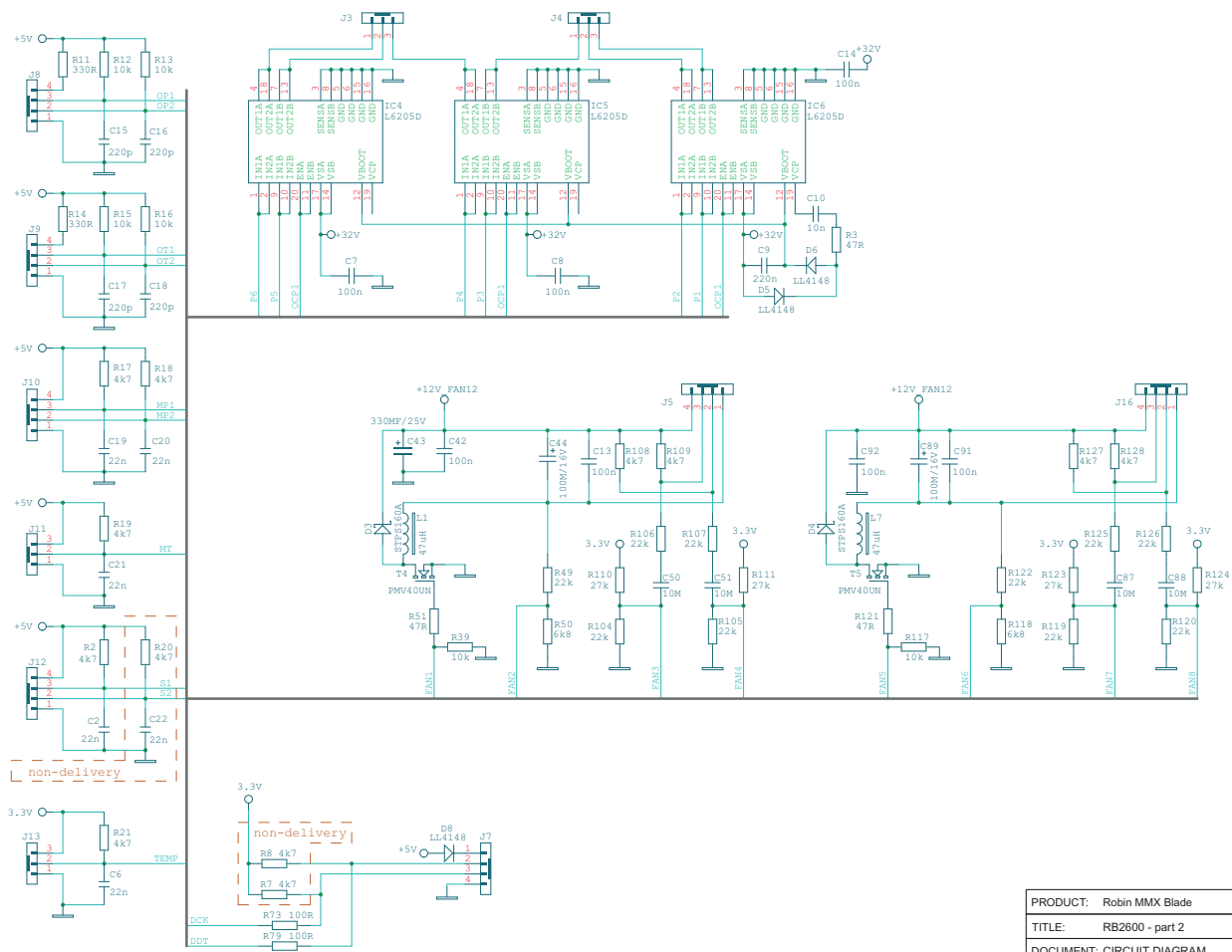
PRODUCT:	Robin MMX Blade
TITLE:	RB1766-V2 DLS
DOCUMENT:	CIRCUIT DIAGRAM
VERSION:	1
DATE:	30.10.2013
SHEET:	12 OF 15



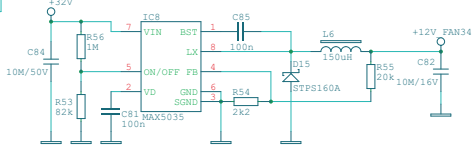
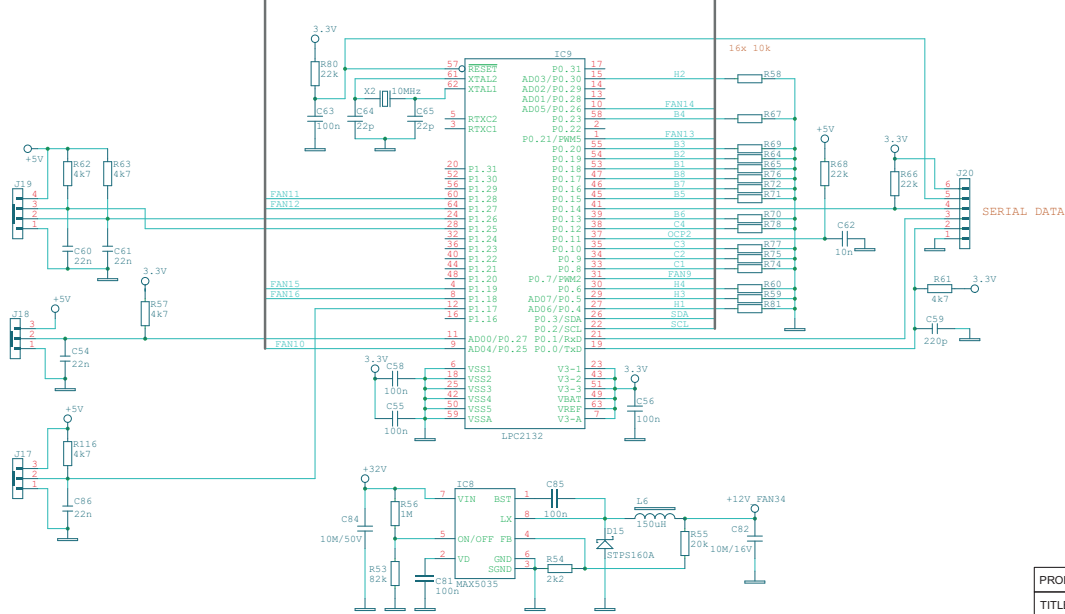
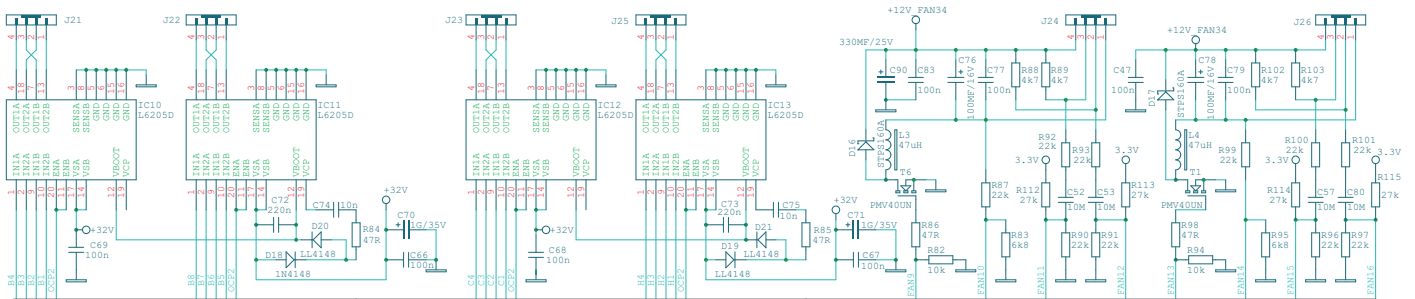
THESE COMPONENTS ARE NOT USED  
 IC2, C34, R26, R27, R28, R29, D7, D13, J15  
 R4, C45  
 R20, C22  
 R7, R8



PRODUCT:	Robyn MMX Blade
TITLE:	RB2600 - part 1
DOCUMENT:	CIRCUIT DIAGRAM
VERSION:	1
DATE:	30.10.2013
SHEET:	13 OF 15



PRODUCT:	RobIn MMX Blade		
TITLE:	RB2600 - part 2		
DOCUMENT:	CIRCUIT DIAGRAM		
VERSION:	1	DATE:	30.10.2013
		SHEET:	14 OF 15



PRODUCT:	Robin MMX Blade
TITLE:	RB2600 - part 3
DOCUMENT:	CIRCUIT DIAGRAM
VERSION:	1
DATE:	30.10.2013
SHEET:	15 OF 15